

# TANK GAUGING SYSTEMS

TGS SIDE MOUNTED SWEET SERVICE  
MECHANICAL LEVEL GAUGE  
TGS - 6010

[www.tankgaugingsys.com](http://www.tankgaugingsys.com)

Cost-effective gauging of  
sweet, non-corrosive fluids

Magnetic gauge board for  
simple "tank-in-service"  
installations (no welding  
required)

Fiberglass float with  
Stainless Steel Swivel  
Unique design - no need  
for guide wires

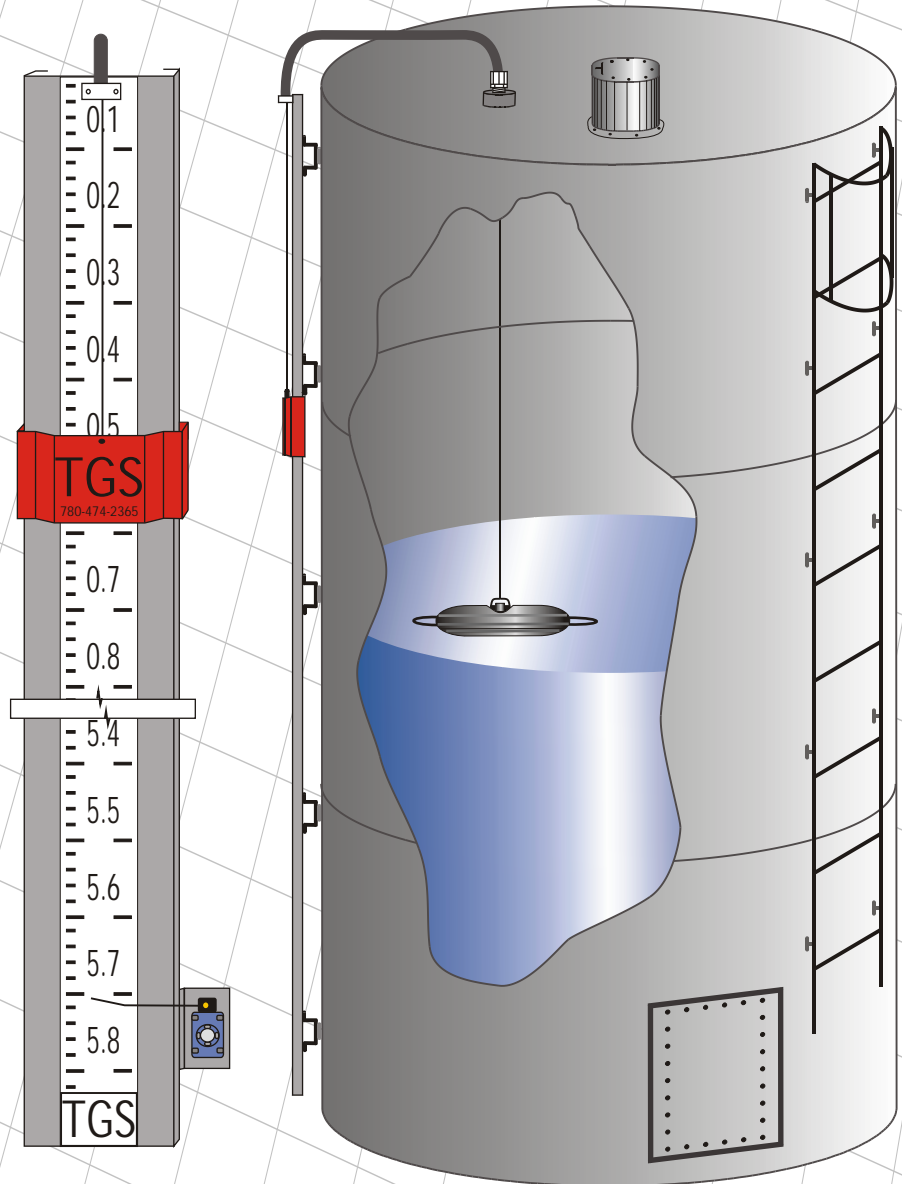
Large easy to read gauge  
board with reflective, long-  
life 3M decal

No gears or pulleys to jam  
or freeze

Complete gauge package  
supplied

Slider/Indicator slides on  
gauge board using UHMW  
runners

Add CSA Class 1 Div. 1  
alarm switch for high / low  
level alarms



Head Office: 12532 - 124St. Edmonton, AB, T5L 0N5

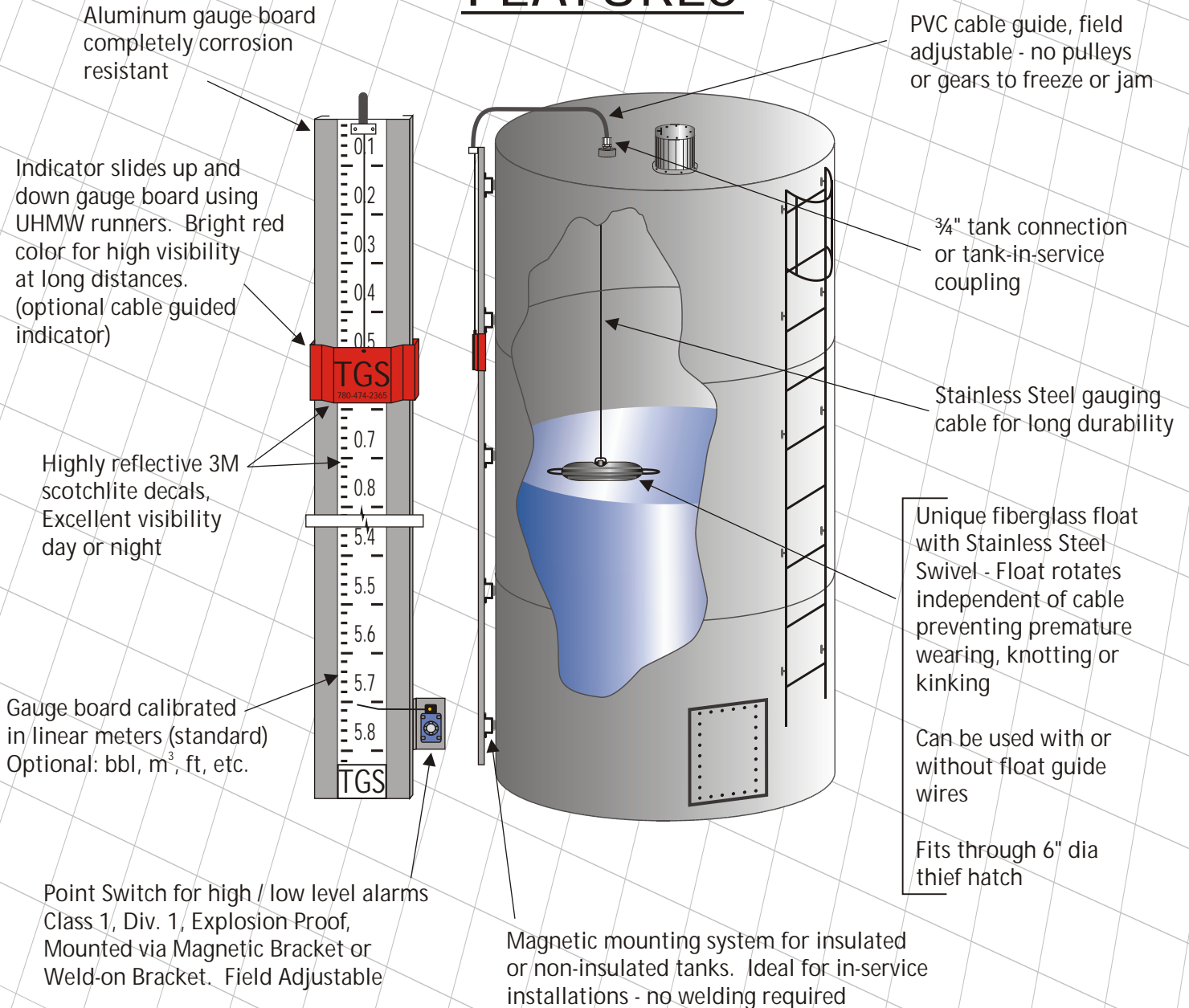
Edmonton  
780-474-2365 (fax) 477-1576  
Calgary  
403-685-8867 (fax) 685-8868

# TANK GAUGING SYSTEMS

TGS SIDE MOUNTED SWEET SERVICE  
MECHANICAL LEVEL GAUGE

TGS - 6010

## FEATURES



## Technical Specifications

Tank Gauging Systems, Edmonton - Calgary

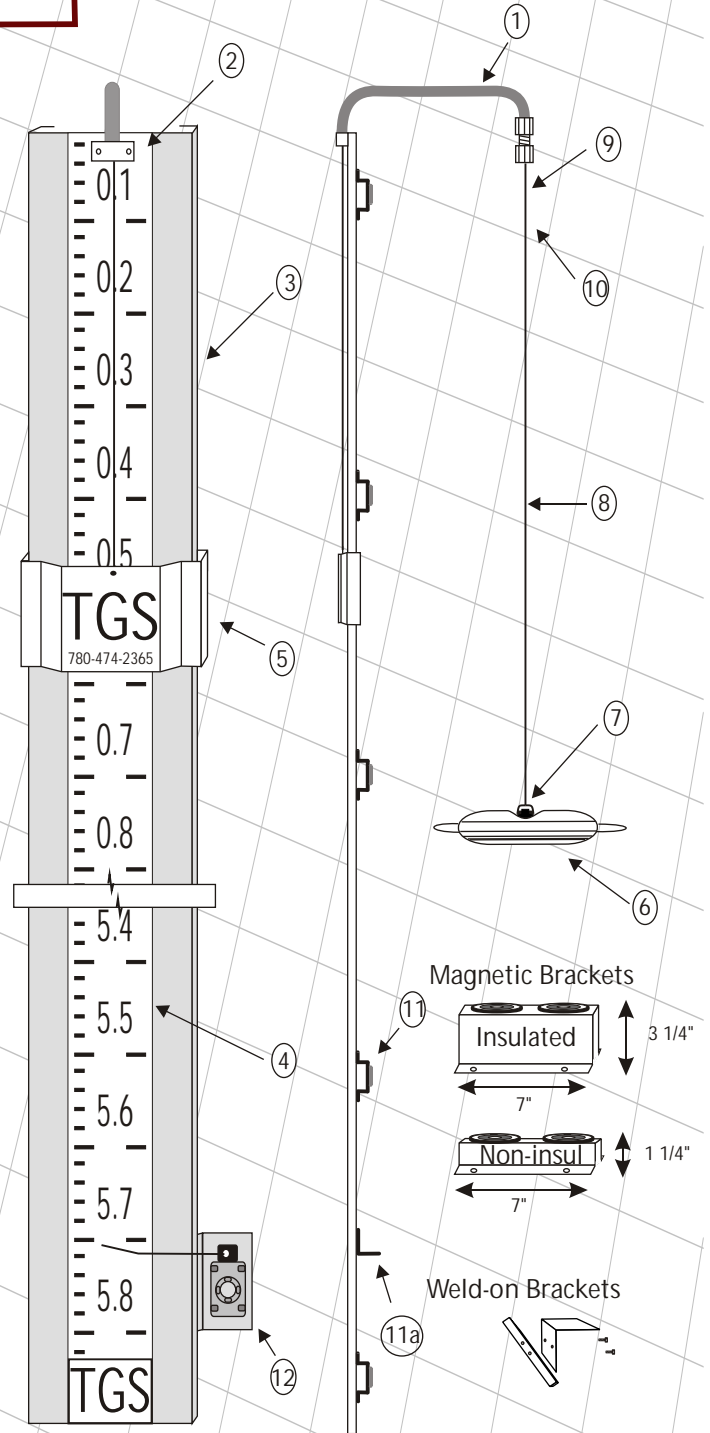
Edm: 780-474-2365 (fax) 477-1576

Calgary: 403-685-8867 (fax) 685-8868

# TANK GAUGING SYSTEMS

## TGS SIDE MOUNTED SWEET SERVICE MECHANICAL LEVEL GAUGE TGS - 6010

| ITEM                                       | DESCRIPTION / MATERIAL   |
|--|--|
| 1.)  | PVC Guide Tube<br>• 1.050"O.D, 3/4" I.D. Approximately 30" length                  |
| 2.)  | Clamping Block (PVC)   |
| 3.)  | Gauge Board<br>• 14 Gauge Aluminum - 9" wide                                       |
| 4.)  | Decal<br>• High reflective 3M decal, 4" width                                      |
| 5.)  | Indicator/Slider<br>• Aluminum slider with 3M decal & UHMW runners                 |
| 6.)  | Fiberglass Float - 5 3/4" O.D. x 15" (standard)                                    |
| 7.)  | 316 Stainless Steel Swivel   |
| 8.)  | 316 Stainless Steel Cable - 3/32" (standard)                                       |
| 9.)  | 3/4" PVC adapter (SL to MT) w/ O-Ring<br>• Viton seal O-Ring                       |
| 10.)                                       | 3/4" PVC coupler (FT to SL)  |
| 11.)                                       | Magnetic Mounting Bracket  |
| 11a.)                                      | Weld-on Mounting Bracket   |
| 12.)                                       | High / Low Level Alarm Point Switch<br>• CSA Class 1, Div. 1<br>• Field adjustable |
| <b>OPERATING</b>                           |  |
| • Temperature: 60°C max. (standard)        |  |
| • Pressure: Atmospheric                    |  |
| • Measurement Range: up to 32ft (standard) |  |
| ** Typical Shipping Weight: 50lbs          |  |



## Technical Specifications

Tank Gauging Systems, Edmonton - Calgary

Edm: 780-474-2365 (fax) 477-1576  
Calgary: 403-685-8867 (fax) 685-8868

# TANK GAUGING SYSTEMS

# 6010

## TGS - 6010 Technical Order Guide

Model TGS 6010 provides local indication of tank fluid level using the highest quality mechanical components to insure long lasting, reliable fluid monitoring. Standard Gauging packages includes TGS's unique Fiberglass Float with Stainless Steel Swivel, Aluminum Gauge Board & Indicator, Decals manufactured from highly reflective 3M material, PVC Cable Guide, 316 Stainless Steel Cable (3/32 diameter), Stainless Steel Cable Clamp, 3/4" Process Connection and TGS's unique friction fit Weld-on Mounting System or Magnetic Mounting Brackets.

ORDERING CODE: TGS 6010 - A / B / C / D / E / F / G .

| CODE | TANK SIZE / HEIGHT (A)        |
|------|-------------------------------|
| X    | Tank Height<br>Example - 20ft |

| CODE | DECAL CALIBRATION (B)              |
|------|------------------------------------|
| M    | Metric - 1cm Increments - Standard |
| C    | Cubic Meters                       |
| BBL  | Barrels                            |
| FT   | Standard - Ft & Inch               |
| X    | Other - Specify                    |

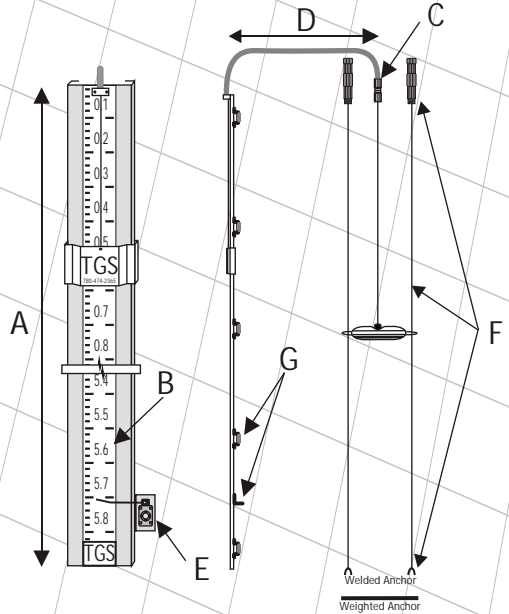
| CODE | TANK CONNECTION (C) |
|------|---------------------|
| 3/4" | 3/4" - Standard     |
| X    | Other - Specify     |

| CODE | CABLE GUIDE (D)  |
|------|------------------|
| 30"  | 30" - Standard   |
| X    | Longer - Specify |

| CODE | OUTPUTS (E)                        |
|------|------------------------------------|
| N    | No Outputs                         |
| R    | Relay - Add (B) or (M) for Bracket |
| P    | Pneumatic - Add (B) or (M)         |
| B    | Bolt on Mounting Bracket           |
| M    | Magnetic Mounting Bracket          |

| CODE   | CABLE GUIDED FLOAT (F)          |
|--------|---------------------------------|
| N      | NO Cable Guides with Tensions   |
| Y      | Cable Guides with Tensioners    |
| W or A | (W) Weld-on (A) Weighted Anchor |

| CODE | BRACKETS (G)                             |
|------|--|
| W    | Weld-on Mounting Brackets Non-Ins. Tank  |
| WI   | Weld-on Mounting Brackets Insulated Tank |
| NIM  | Magnetic Bracket Non-Insulated Tank      |
| IM   | Magnetic Bracket Insulated Tank          |



| TANK SPECIFICATIONS: |                |
|----------------------|----------------|
| Tank Heated:         | Yes/No         |
| Temperature:         | Ambient Other: |
| Fluid:               | SG:            |

### Customer Information

Company Name: \_\_\_\_\_ Contact Name: \_\_\_\_\_  
 Phone Number: \_\_\_\_\_ Fax Number: \_\_\_\_\_  
 Date Required: \_\_\_\_\_ PO / Ref Number: \_\_\_\_\_ Ship Via: \_\_\_\_\_  
 Invoicing: \_\_\_\_\_  
 Shipping: \_\_\_\_\_

## Technical Specifications

Tank Gauging Systems, Edmonton - Calgary

Edm: 780-474-2365 (fax) 477-1576  
 Calgary: 403-685-8867 (fax) 685-8868

# TANK GAUGING SYSTEMS CORP.

---

12532 124 Street, Edmonton, Alberta, T5L 0N5  
Edmonton Ph: 780-474-2365 Fax: 780-477-1576  
Calgary Ph: 403-685-8867 Fax: 403-685-8868

---

## TGS 6010 SIDE MOUNTED SWEET SERVICE INSTALLATION INSTRUCTIONS

1. Gauge Board: The gauge board has been shipped in sections with a joiner at the end of each section. Assemble the gauge board together via the joints and bolt magnetic or weld-on brackets to the back of the gauge board. Be sure brackets are mounted on the center of the gauge board so they do not interfere with slider movement. If using welded brackets mount the drilled and tapped plate of the bracket inside the gauge board and tighten the angle iron onto the plate. All the necessary hardware (washers, nuts and bolts) has been included in the gauge package. If a Bolt-On Switch bracket is being used, bolt it to the back of the gauge board at this time.
2. Mounting the Gauge Board: The gauge board will mount to the tank via Magnetic Mounting Brackets or Weld-on Mounting Brackets. The gauge has been designed to be installed and serviced while the tank is in-service. If possible always try to mount the gauge board so the top of the gauge board is level with the roof of the tank (the point at which the roof begins to slope) and is close to the thief hatch so the float can be reached through the thief hatch.
3. Drilling Holes: Omit this step if a coupling has been welded into the tank. The clamping block has been positioned at the top of the gauge board and is used to connect the cable guide to the gauge board. Connect one end of the cable guide to the clamping block and locate a position on the tank to drill a hole. The hole can be drilled approximately an arms length from the thief hatch (1 1/2 ft from the hatch). Drill a hole big enough to insert the 3/4" coupler and file any rough edges that occur as a result of drilling. If drilling the hole while tank is in-service use plenty of cutting oil and be careful.
4. Cable Guide & Coupler: Place the 3/4" adapter with the O-ring on the top of the tank and thread on nut from inside the tank. If a 3/4" coupler has been welded on the tank the nut will not be required. Cut the cable guide (if required) as needed to fit between the coupler and clamping block. For best operation try to keep the cable guide as level as possible. Ream the inside of the pipe to remove any rough edges after cutting. Use the silicon supplied to seal all joints after the cable guide is fitted and installed onto the tank.
5. Stainless Steel Gauging Cable: Run the Stainless Steel gauging cable from the inside of the tank through the cable guide. Place the cable through the hole in the bolt on the slider and loosely tighten. Attach the float to the other end of the cable using the Stainless Steel cable clamp provided.
6. Calibration: Gently lower float into the tank. Dip tank and adjust the slider/indicator to the appropriate level. Tighten nut on the slider.

\*\* If using float cable guide assembly, mounting connections are 18" center to center

