

TANK GAUGING SYSTEMS

www.tankgaugingsys.com

TOP MOUNTED SWEET SERVICE
MECHANICAL LEVEL GAUGE
TGS - 6020

Providing safe and reliable gauging protection for Under Ground Tanks

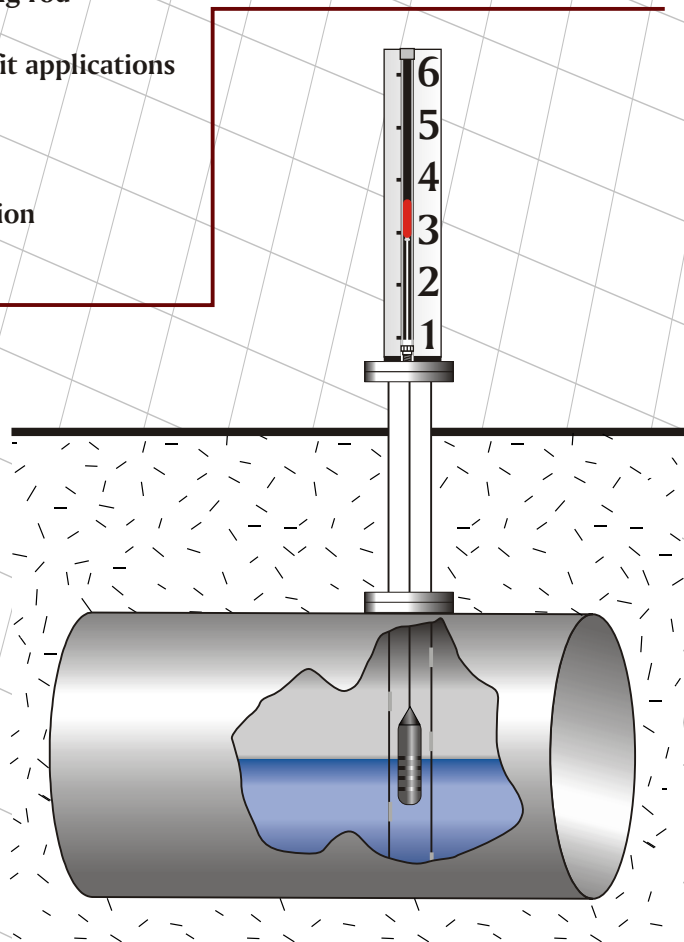
- Accommodates standard 3 or 4" diameter risers (other sizes available)
- Bright Red Indicator for easy to read display at long distances
- Coned roof prevents build up on top of float
- Fiberglass float and gauging rod
- Excellent for new or retrofit applications
- Highly reflective 3M decal
- Quick and simple installation
Under ½ hour



②



①



2 Simple Steps for Installation

- Install float with gauging rod into stillwell and calibrate
- Bolt Gauge Board to flange (stillwell can be supplied if required)



Head Office: 12532 - 124St. Edmonton, AB, T5L 0N5

Edmonton

780-474-2365 (fax) 477-1576

Calgary

403-685-8867 (fax) 685-8868

TANK GAUGING SYSTEMS

TOP MOUNTED SWEET SERVICE MECHANICAL LEVEL GAUGE TGS - 6020

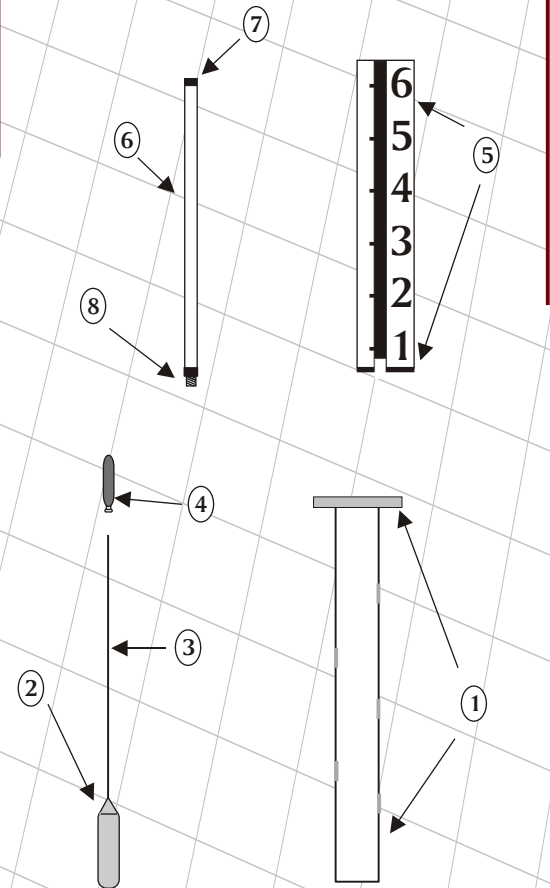
SPECIFICATIONS

- 1.) Fiberglass Stillwell with Top Flange Attachment
 - 1" NPT thread in flange
 - fits in 3 or 4" diameter risers (standard)
 - (only use stillwell if not supplied with tank)
- 2.) Heavy Duty Fiberglass Float - 2 3/8" dia x 17" height (Optional 3 1/2" dia x 8" height)
- 3.) Fiberglass Gauging Rod - 3/16" diameter (20ft max.)
- 4.) Indicator - Bright Red
 - Attach to rod via S.S. compression fitting
- 5.) Aluminum Gauge Board with Bolt on Flange Plate
 - c/w 3M decal in linear meters
- 6.) Clear Sight Tube - Polycarbonate
- 7.) PVC End Cap
- 8.) 1" PVC Connector

OPERATING

Temperature: -40C to 80C

Pressure: Ounces



Approximate Floating Level - 20ft Rod

- SG of 1 = 8" (2 3/8" OD Float) / 4" (3.5" OD Float)
- SG of .9 = 9" (2 3/8" OD Float) / 4.5" (3.5" OD Float)
- SG of .8 = 10" (2 3/8" OD Float) / 5" (3.5" OD Float)
- SG of .7 = 11.5" (2 3/8" OD Float) / 6" (3.5" OD Float)
- SG of .6 = 13" (2 3/8" OD Float) / 7" (3.5" OD Float)

** Typical Shipping Weight: 15lbs

Technical Specifications

Tank Gauging Systems, Edmonton - Calgary

Edm: 780-474-2365 (fax) 477-1576

Calgary: 403-685-8867 (fax) 685-8868

TANK GAUGING SYSTEMS

TGS - 6020 Technical Order Guide

Model 6020 provides local indication of tank fluid level. Standard Gauging packages include fiberglass float & rod assembly (20ft), Lexan sight glass tubing with PVC cap and 1" male NPT connector. Magnetic indicator comes optional for use with any sort of required output. Aluminum gauge board with flange plate for 3" or 4" flange (standard), reflective 3M decals calibrated in linear meters (cm).

ORDERING CODE: TGS 6020 - 4 / 55" / F4 / 4FF / RS2

CODE	TANK SIZE / DIAMETER (A)
4	4ft diameter tank
6	6ft diameter tank
8	8ft diameter tank
10	10ft diameter tank (price adder)
X	Other (indicate diameter)
ST	Add "ST" behind code letter if Stillwell required
P/F/S	P-PVC, F-Fiberglass, S-Steel Add (P,F,S) behind "ST" code

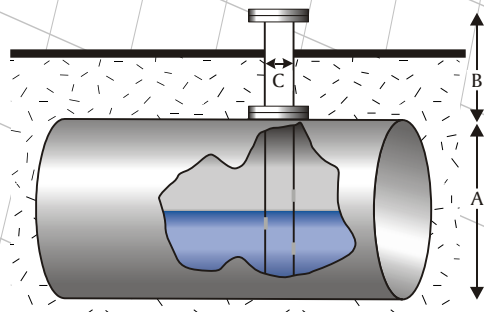
CODE	BURIAL DEPTH (B)
X	BURIAL depth / riser length * distance from top of vessel to flange connection

CODE	FLOATS
F2	1 3/4" Dia x 20" Long
F3	2 3/8" Dia x 17" Long
F4	3 1/2" Dia x 8" Long
FX	Custom Float - Specify in Notes

NOTES:

CODE	OUTPUT REQUIRED
N	NO OUTPUTS
RS	Proximity Switch - Relay
PS	Pneumatic Switch
AT	4-20mA Output
X	Number of outputs required Add behind code

CODE	TANK CONNECTION / RISER SIZE (C)
2	2" diameter riser - flanged
3	3" diameter riser - flanged
4	4" diameter riser - flanged
6	6" diameter riser - flanged
8	8" diameter riser - flanged
FF	Add FF behind code letter if flange is required



ORDER CODE: TGS 6020 - / / / / /

Customer Information

Company Name: _____ Contact Name: _____
 Phone Number: _____ Fax Number: _____
 Date Required: _____ PO / Ref Number: _____ Ship Via: _____
 Invoicing: _____
 Shipping: _____

Technical Specifications

Tank Gauging Systems, Edmonton - Calgary

Edm: 780-474-2365 (fax) 477-1576
 Calgary: 403-685-8867 (fax) 685-8868

TANK GAUGING SYSTEMS CORP.

12532 124 Street, Edmonton, Alberta, T5L 0N5
Edmonton Ph: 780-474-2365 Fax: 780-477-1576
Calgary Ph: 403-685-8867 Fax: 403-685-8868

TGS 6020 TOP MOUNTED SWEET SERVICE INSTALLATION INSTRUCTIONS

Please read the complete installation instructions prior to installation. Follow the steps in order to ensure trouble free installation and operation.

Before installation:

- Make sure there is a 1" process connection in the flange
- Be sure a stillwell is installed in the Tank. If using a stillwell supplied by Tank Gauging Systems (TGS) it will need to be cut to the proper length (from the bottom of the tank to the top of the flange).
- The Gauge Board bolts down on top of the flange. If possible use a flat faced flange, but if using a RF (raised face) flange remember to place shims (gasket or washers) at the bolt holes.
- TGS standard float sizes: (F4) 3 1/4" O.D. x 8" which will begin floating in approximately 4 inches of fluid and therefore the bottom 4 inches of the tank or vessel cannot be measured. The second float is (F3) 2 3/8" O.D. x 17" which will begin floating in approximately 8 inches of fluid. The third float is (F2) 1 3/4" OD x 20" which begins floating in approximately 13".
- Custom Epoxy Coated Foam Float (2" OD) floating level is approximately 3"
- TGS recommends using cable guide wires to stabilize the Gauge Board on gauges over Eight feet in height. Eye bolts are fixed to the top of the Gauge Board for this purpose.

1. Due to changing or varying specific gravity of different fluids and the length at which the fiberglass-gauging rod is cut (calibrated), accuracy may vary slightly. To get an exact level measurement, dip the tank when there is fluid in the tank and calibrate the gauge at that time.

2. **Installing float and fiberglass rod:** Remove top flange and insert the float with fiberglass rod into stillwell. Float will bob freely in the fluid, or rest at the tank bottom if the tank is empty. The fiberglass rod will protrude from flange connection. Place top flange with 1" process connection over the protruding rod. Place a few bolts in the flange, but do not bolt down the flange yet. (If using stillwell supplied by TGS place float and rod into stillwell and insert stillwell into vessel)

3. **Calibrating:** Cut the fiberglass-gauging rod to the proper length such that the Indicator when aligned to the Gauge Board, indicates the proper fluid level. This would equal approximately 4" from Zero on an empty tank when using the 3 1/4" O.D. float, approximately 8" when using the 2 3/8" O.D. float & 13" on the 1 3/4" OD Float. The fiberglass rod is then cut such that the Indicator corresponds to this fluid level (4", 8" or 13"). Your gauge is now calibrated to the fluid level.

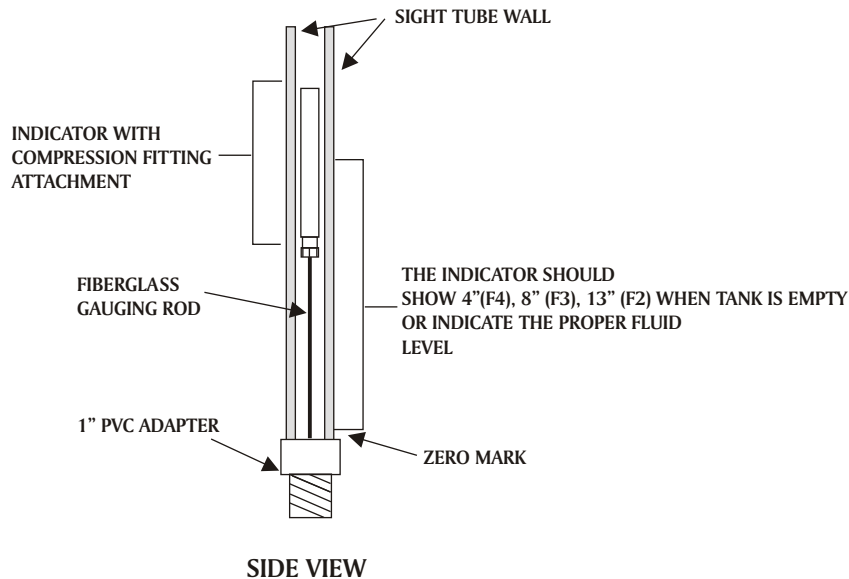
SEE DIAGRAM ON NEXT PAGE



TANK GAUGING SYSTEMS CORP.

12532 124 Street, Edmonton, Alberta, T5L 0N5
Edmonton Ph: 780-474-2365 Fax: 780-477-1576
Calgary Ph: 403-685-8867 Fax: 403-685-8868

4. **Sight Tube and Gauge Board:** Teflon tape the 1" PVC adapter and thread into flange. Loosen the clamps holding the clear sight tube to the Gauge Board, the clear sight tube will drop below the Gauge Board in order to thread into the Flange. After tightening the Sight Tube drop the Gauge Board down onto the flange.



5. **Flange Connection & Clamps:** Tighten clamps holding the Sight Tube. BE CAREFUL not to over tighten them. Bolt down the flange with Gauge Board
6. **Check:** Be sure all clamps between the Site Tube and Gauge Board are tight. Check end caps on the clear sight tube are totally sealed and the tube itself clear and in good working condition. Use silicon supplied to seal cap and coupling onto the clear sight tube.

